

Matrix Drives vs. 18-Pulse Systems

Making the complicated simple.



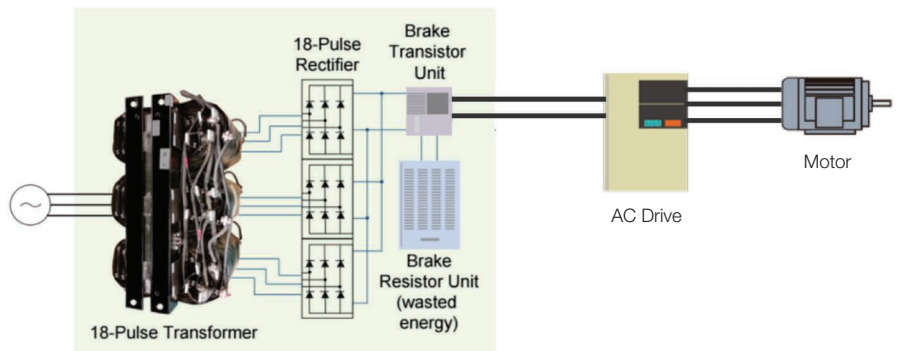
U1000 Industrial Matrix Drive

The U1000 is a compact, total all-in-one solution for low harmonics and/or full regeneration. It is the ultimate choice for power quality and energy savings. Additionally, the U1000 delivers high flexibility and motor control performance to meet a wide variety of application requirements.

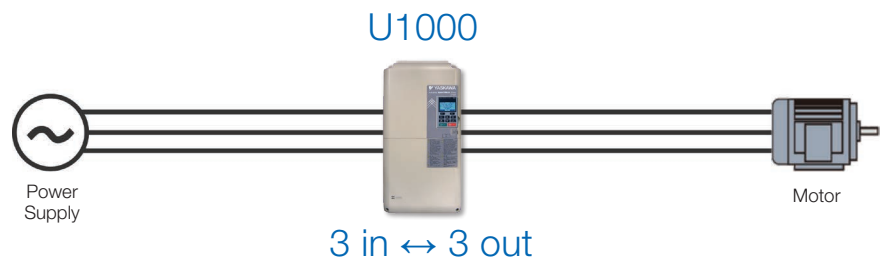
Eliminate Components:

- 18-Pulse Transformer
- Diode Rectifiers
- Phase Circuits
- Reactors
- Fusing

18-Pulse Drive



U1000 Matrix Drive

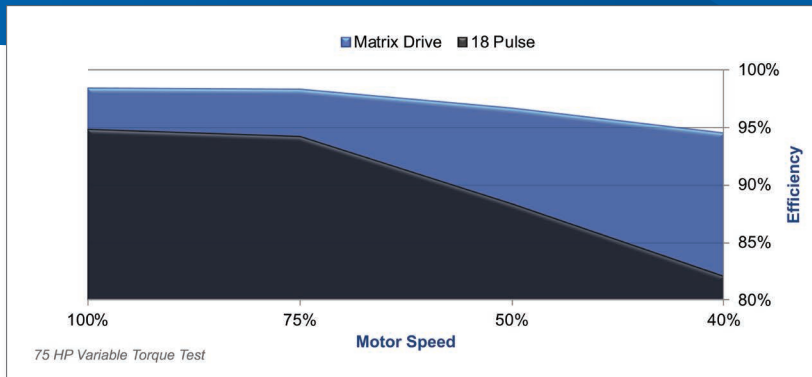


Reduce wiring by: 70%	Reduce size by: 80%
Reduce weight by: 77%	Reduce power by: 4%

Example: 480V 250HP

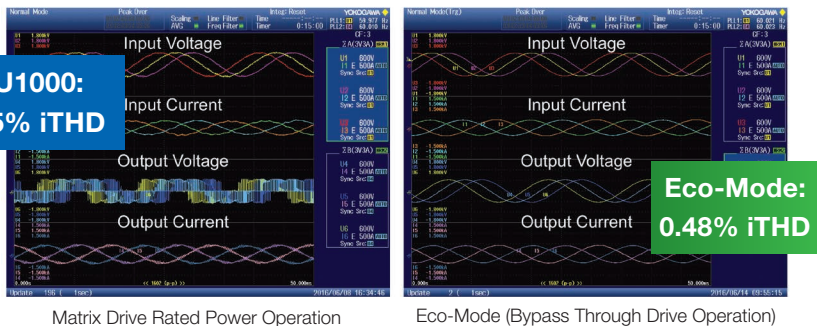
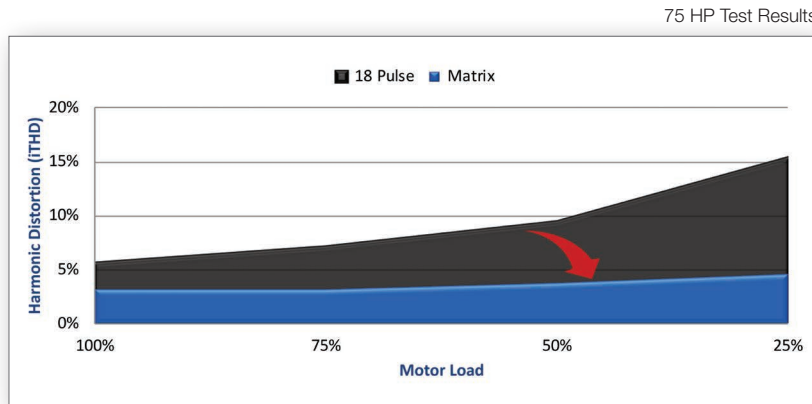
More Efficient

The U1000 Industrial Matrix Drive is considerably more efficient at rated power than an 18-pulse configuration in the typical operating range of a motor (50%-75% Speed).



Lower Harmonics

The U1000 Industrial Matrix Drive offers low input current harmonics that facilitate IEEE 519 compliance. Not only does the U1000 have low harmonics at rated load, but it's an overall green solution. The U1000's harmonics remain low throughout the entire load range of the motor.



Eco-Mode

Across the line operation through the drive.

Benefits

- Eliminates high frequency harmonics
- Eliminates electrical noise
- Easier on motor and drive
- Reduced maintenance to belts, pulleys, & gearboxes
- Maintain drive protection (overcurrent, motor overload)
- Eliminates audible noise

Simplify Your Wiring Needs

- Less components
- Less connections
- Less wiring
- Easy installation
- Smaller package

